

# APV ParaBrazed

## BRAZED PLATE HEAT EXCHANGERS

### Product description

APV ParaBrazed is a large range of compact brazed plate heat exchangers specially designed for a multitude of heating and cooling applications with high temperature and/or pressure.

APV ParaBrazed is characterized by:

- Compact design with minimum space requirement
- High heat transfer efficiency
- Flexible in use
- Working temperature 195°C/-50°C
- Working pressure up to 30 bar

### Application

APV ParaBrazed is specially designed for heating and cooling of liquids in industrial, HVAC and refrigeration applications. Typical HVAC applications include heating of domestic water and central heating water - radiators as well as floor heating - primary heating sources being e.g. district heating, solar heating, and heat pumps. In refrigeration APV ParaBrazed is often used for evaporation and condensations duties with freon-like liquids as primary source. Other applications include oil coolers and oil heaters.

**Note:** Ammonia and seawater must not be used as media in ParaBrazed plate heat exchangers.

### Working principle

APV ParaBrazed is a simple construction consisting of corrugated metal plates stacked on top of each other. The front and rear cover plate on which connections are located covers the plate pack. The plate pack, cover plates and connections are copper brazed to obtain a compact and highly durable plate heat exchanger. High thermal efficiency is obtained by letting the two media in parallel flows run in countercurrent flow through alternate channels.

### Benefits

The APV ParaBrazed heat exchangers are easy to mount and install, and their compact design requires minimum space. Due to the large temperature span and high working pressure APV ParaBrazed offers high flexibility in use. Its high thermal efficiency reduces the consumption of the heating media to a minimum making the ParaBrazed range of plate heat exchangers an efficient and cost-effective choice.

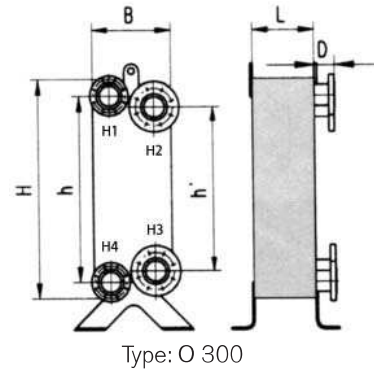
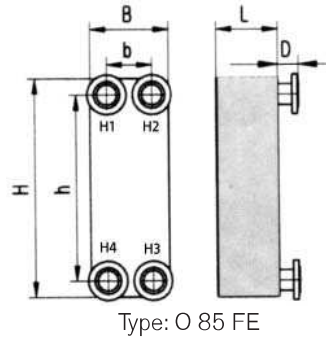
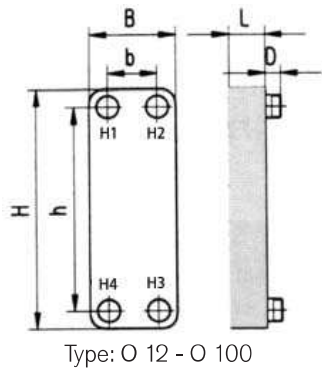
### ParaSize quotation tool

The APV ParaSize tool is easy-to-use software to support you in quoting the range of APV ParaBrazed plate heat exchangers quickly. APV ParaSize gives you a good overview of the multitude of options. It also includes the range of APV gasketed heat exchangers targeted for HVAC applications. No matter, if it is a liquid/liquid or a ParaBrazed for condensation or evaporation application, the APV ParaSize tool is the software to use.

### Technical data

Please see backcover for technical data and specifications.





**APV PARABRAZED**

TYPE	B MM	H MM	B MM	H/H <sup>2</sup> MM	D MM	L MM	CONNECTION	CONNECTION CODE	WEIGHT, EMPTY KG	PRESSURE BAR
O 12	73	189	40	154	20	7+(2.2XN)	G 3/4"	A, B, C	0.68+(0.045XN)	45/30
O 15	73	202	42	172	26	7+(2.3XN)	G 3/4"	A, B, C	0.7+(0.044XN)	
O 30	106	306	50	250	28	7+(2.2XN)	G 1/2"-G 3/4"-G 1"	A, D, E, G	1.61+(0.091XN)	
O 35	124	337	69	281	28	7+(2.3XN)	G 1 1/4"	A, C, E	2.7+(0.160XN)	
O 60	124	532	69	476	19.5	7.5+(2.3xn)	G 1" - G 1 1/4	A, C, E	3.5+(0.2xn)	
O 70	152	452	72	372	50	9+(2.35XN)	G 1 1/2" - G 2"	A	4.72+(0.24XN)	
O 75	124	626	69	571	19.5	7.5+(2.3XN)	G 1" - G 1 1/4	A,C,E	3.5+(0.2XN)	
O 85	271	532	198	460	50	7+(2.3XN)	G 2"	A, B, C, F	7+(0.42XN)+14.6	25/16
O 100	184	605	92	520	50	7+(2.4XN)	G 2 1/2"	A	7.2+(0.42XN)	
O 300	362	987	214	860/815	90	18+(2.8xn)	DN65-DN100	F	52.5+(1.26xn)	

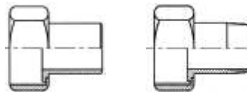
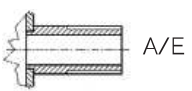
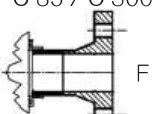
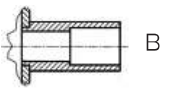
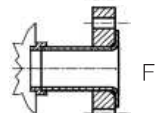
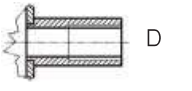
n = number of plates.

**Material:** Plates and connections AISI 316 (W,-1,4401) Soldering: Copper 99,9%

**Working condition:** Max./min. working temp.: +195/-50°C. Max. ΔT prim./sec.: 150°C

**Approval:** Modul A1 Pressure Equipment Directive PED 97/23/EU; TÜV Thüringen (CE 0090)

**Custom design:** Non standard sizes and connection variants are possible

CONNECTIONS		CONNECTION CODE	ACCESSORIES
Type O 12 - O 100	Type O 85 / O 300	A - Threads	<p><b>Fittings</b> are available for threaded, welded and soldering</p>  <p><b>Insulation</b> made of two polyurethane (CFC-free) half parts with Self-Engaging Fasteners</p> <p><b>Foot bracket</b> for type O85 is available</p>
		B - Soldered	
A/E	F	C - 2 x A & 2 x B	
		D - Inside threads	
B	F	E - Reduced threads connection	
		F - Flange	
D		G - 2 x E & 2 x Reduced soldered	



Sesinoks Metal ve End. Ürünler San.Tic. A.Ş.  
 Dudullu OSB 2. Cad. No: 20 Ümraniye - İSTANBUL - TR  
 Tel: +90 216 420 10 00 Fax : +90 216 420 74 39  
 www.sesinoks.com.tr info@sesinoks.com.tr